

10 Gbps XPAK Transceiver

***Craig Fosnaught, Director of Strategic Marketing
Americas Region, Integrated Products Division***

Markets and Applications

- **Telecommunication**
 - Hubs
 - Servers
 - Routers
- **Data Communication**
- **Storage Area Network**
- **Industry Standards**
 - XPAK MSA
 - IEEE 802.3ak CX4
 - IEEE 802.3ae XAUI



Features and Benefits

- Transmits 10 Gbps data up to 15 meters over Copper (Cu) cable
- Enables high-speed data transmission
- Hot-swappable design
- Enables transceiver to be removed or installed without powering-down
- Zinc diecast backshells
- Provide 360° Electro Magnetic Interference (EMI) shielding
- Designed to meet Gigabit Ethernet standards IEEE 802.3ak for CX4 and IEEE 802.3ae for XAUI
- Compliant with XPAK MSA

Key Selling Benefits vs. Competition

- No current competition

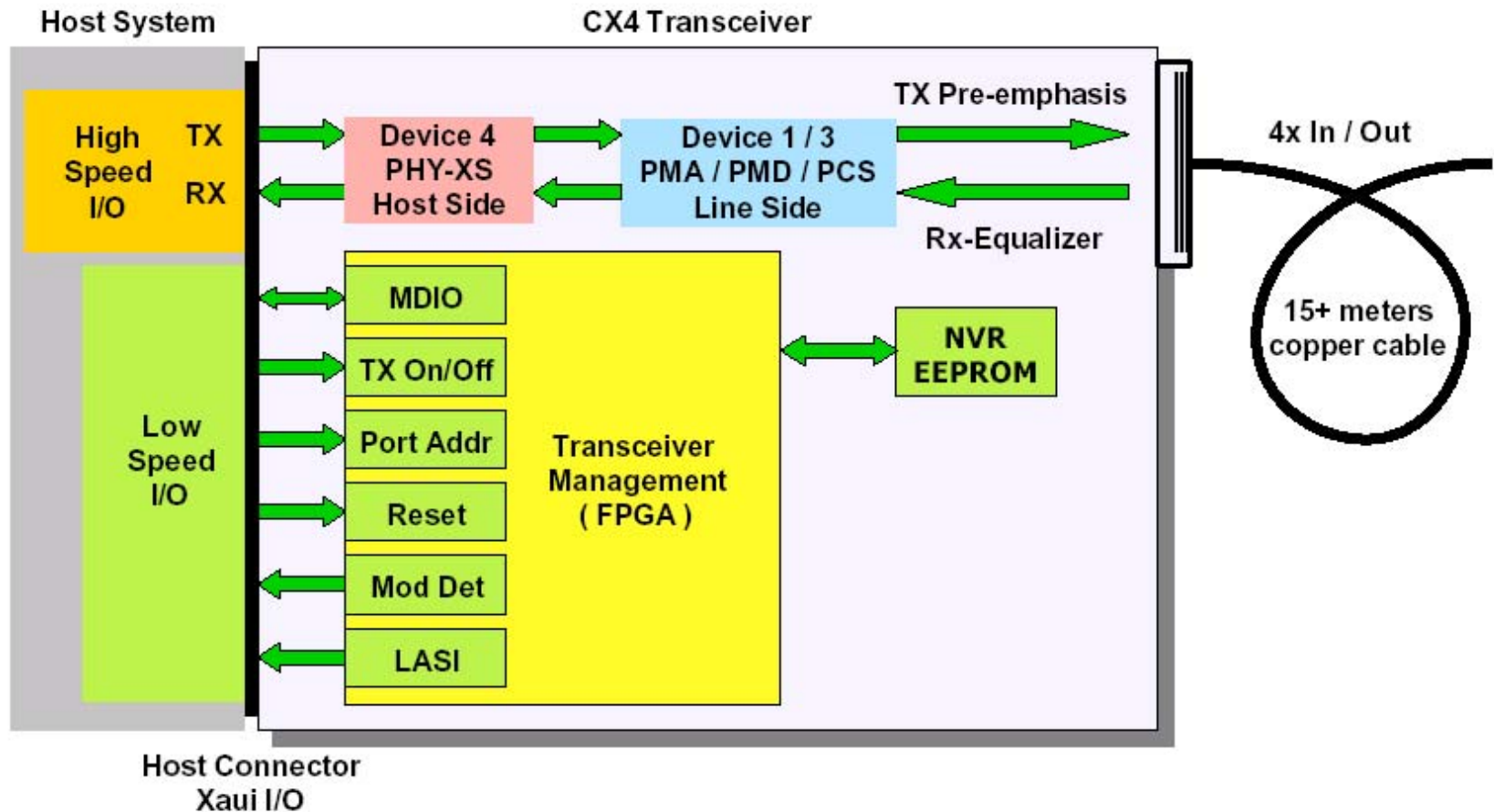


Specifications

Durability	100 cycles
Voltage and Current	3.3V at 567mA, 1.5V at 1554mA
Mating Force	Min.: 20N (4.5 lbf) Max.: 40N (9 lbf), 80N (18 lbf) max. allowed by MSA
Operating Temperature	-40 to +85°C
Mates With	Host Connector (Series 74441) CX4 Cable Assembly (Series 74526)
Use With	XPAK Rail (Order No. 74732-0220)



Electrical Diagram of Internal XPAK Transceiver



Ordering Information

Order No.	Description
74739-0001	XPAK Transceiver

