



**tyco**

*Electronics*

**Introducing...**

## .250 Series Ultra-Pod Fully Insulated FASTON Receptacles for 2-wire Terminations

### DESCRIPTION

- .250 Series Fully Insulated FASTON receptacles in both straight and flag configurations designed for lead-maker termination of two wires and automatic insulator application in one step.

### KEY FEATURES

- Designed for two wire automatic or semi-automatic termination
- V-2 and V-0 insulators offer application flexibility
- One-step termination and insulation permits high automatic production rates
- F-Crimp wire crimp with proven performance

### APPLICATIONS

- Major Appliance
- HVAC
- Vending Machines
- Industrial Machinery
- Lawn and Garden Equipment
- Business Machines
- Lighting
- Power Supplies

### FOR MORE INFORMATION

Technical Support  
Internet: [www.tycoelectronics.com](http://www.tycoelectronics.com)  
E-mail:  
[newproducts@tycoelectronics.com](mailto:newproducts@tycoelectronics.com)

USA: 1-800-522-6752  
Canada: 1-905-470-4425  
Mexico: 52-55-1106-0800  
C. America: 57-1-254-4444

South America: 55-11-2103-6000  
Hong Kong: 852-2735-1628  
Japan: 81-44-844-8013  
UK: 44-208-420-8341

# .250 Series Ultra-Pod Fully Insulated FASTON Receptacles for 2-wire Terminations

## ELECTRICAL

- Complies with UL and CSA requirements for quick-connect terminals

## MECHANICAL

- Complies with UL and CSA requirements for quick-connect terminals

## MATERIALS

- Terminal: Brass, Tin-Plated Brass
- Insulator: UL 94 V-0 or V-2 nylon

## STANDARDS & SPECS

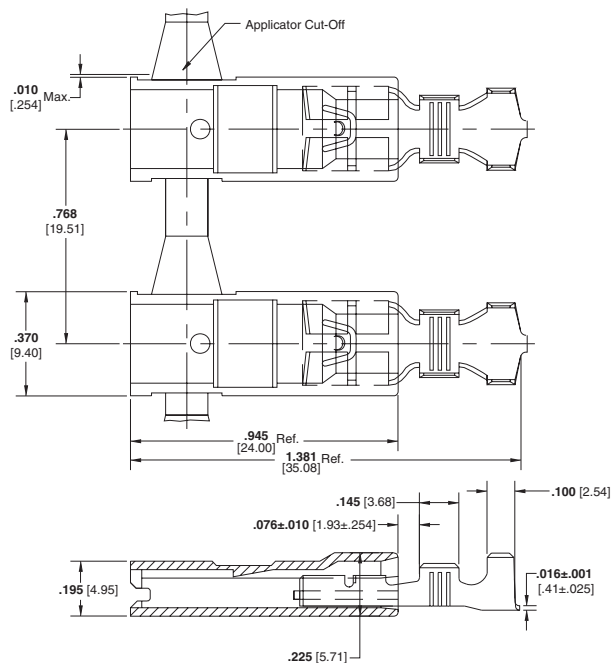
- Product Specification: 108-1285
- Application Specification: 114-2124
- UL310, File E66717
- CSA 22.2, FILE LR 7189

## APPLICATION TOOLING

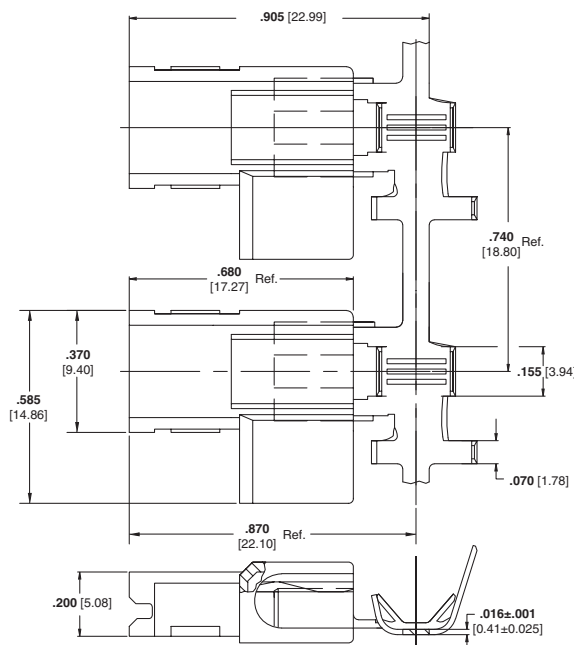
- Straight receptacle applicators:  
Base applicator 1385719
- Flag receptacle applicators:  
Base applicator 1385813

## PRODUCT DIMENSIONS & OFFERING

Part Number 521537 (shown) & 521632



Part Number 521112 (shown) & 521633



Wire Range (AWG)	Insulation	UL 94/Color	Material/Finish	Part Number	Receptacle Type
18-14 or (2) 18	(2) .105 max. [2.67]	V-2/ Natural	Brass	521637-1	Straight
			Tin-plated Brass	521637-2	
		V-0/ Natural	Brass	521632-1	
			Tin-plated Brass	521632-2	
		V-2/ Natural	Brass	521112-1	Flag
		V-0/ Natural	Brass	521633-1	
			Tin-plated Brass	521633-2	